

RGP 132 KV S/STN

Bankura-II

Bankura - I

Hura - I

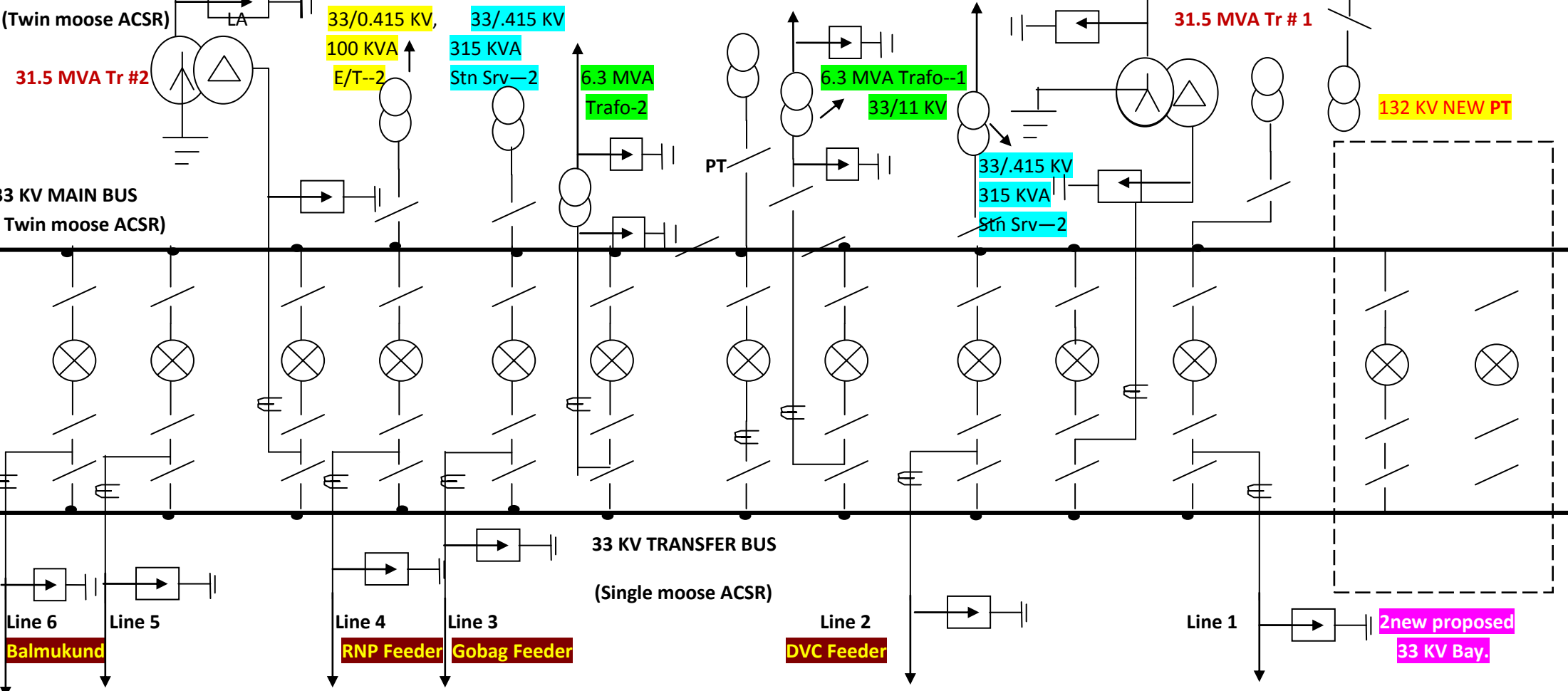
Hura -II

132 KV TRANSFER BUS(single mouse ACSR)

132 KV MAIN BUS
(Twin mouse ACSR)

33 KV MAIN BUS
(Twin mouse ACSR)

33 KV TRANSFER BUS
(Single mouse ACSR)



31.5 MVA Tr #2

33/0.415 KV,
100 KVA
E/T--2

33/.415 KV
315 KVA
Stn Srv--2

6.3 MVA
Trafo-2

6.3 MVA Trafo--1
33/11 KV

31.5 MVA Tr # 1

132 KV NEW PT

33/.415 KV
315 KVA
Stn Srv--2

Line 6
Balmukund

Line 5

Line 4
RNP Feeder

Line 3
Gobag Feeder

Line 2
DVC Feeder

Line 1

2new proposed
33 KV Bay.