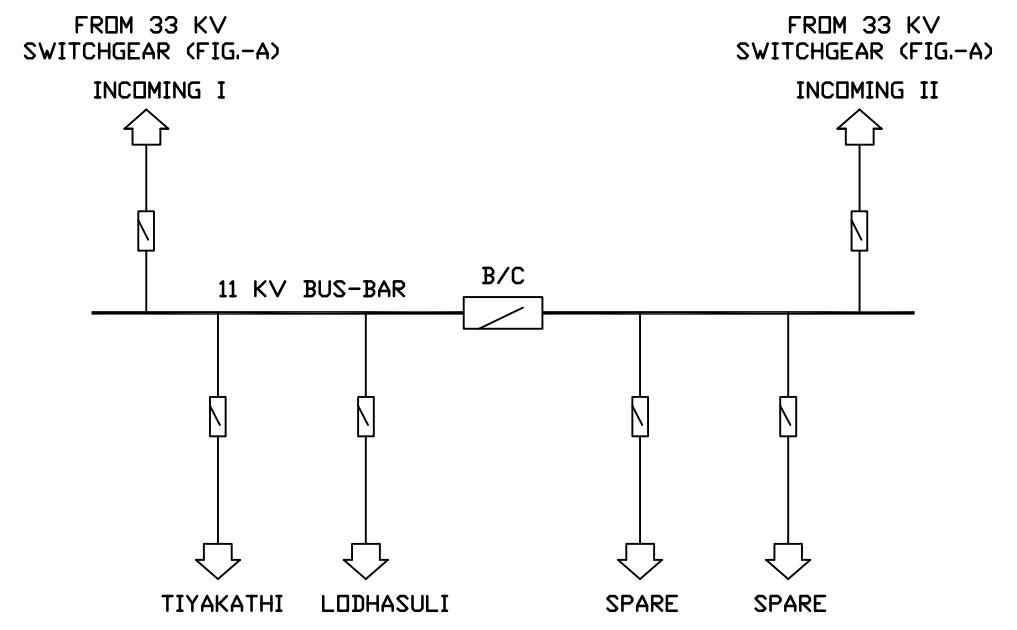
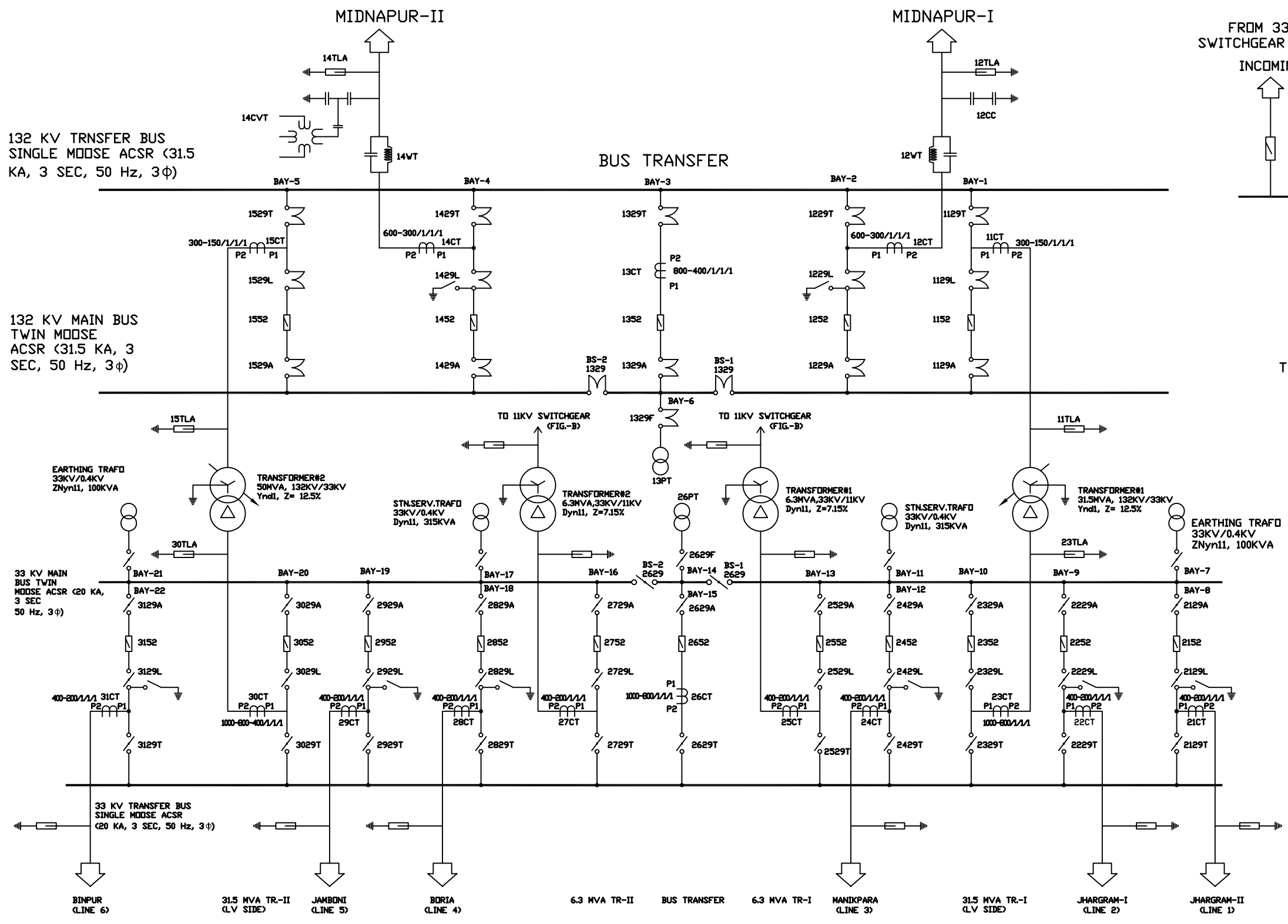


WEST BENGAL STATE ELECTRICITY TRANSMISSION COMPANY LIMITED

SINGLE LINE DIAGRAM OF JHARGRAM 132 KV SUB-STATION

FIGURE - A

FIGURE - B



LEGENDS

- POWER TRANSFORMER (WITH OLTC)
- POWER TRANSFORMER
- CIRCUIT BREAKER
- ISOLATOR (CENTRE BREAK)
- ISOLATOR (DBCR)
- LIGHTNING ARRESTER
- EARTH
- 1φ CVT WITH THREE SECS.
- COUPLING CAPACITOR
- WAVE/LINE TRAP
- CURRENT TRANSFORMER
- EARTH SWITCH