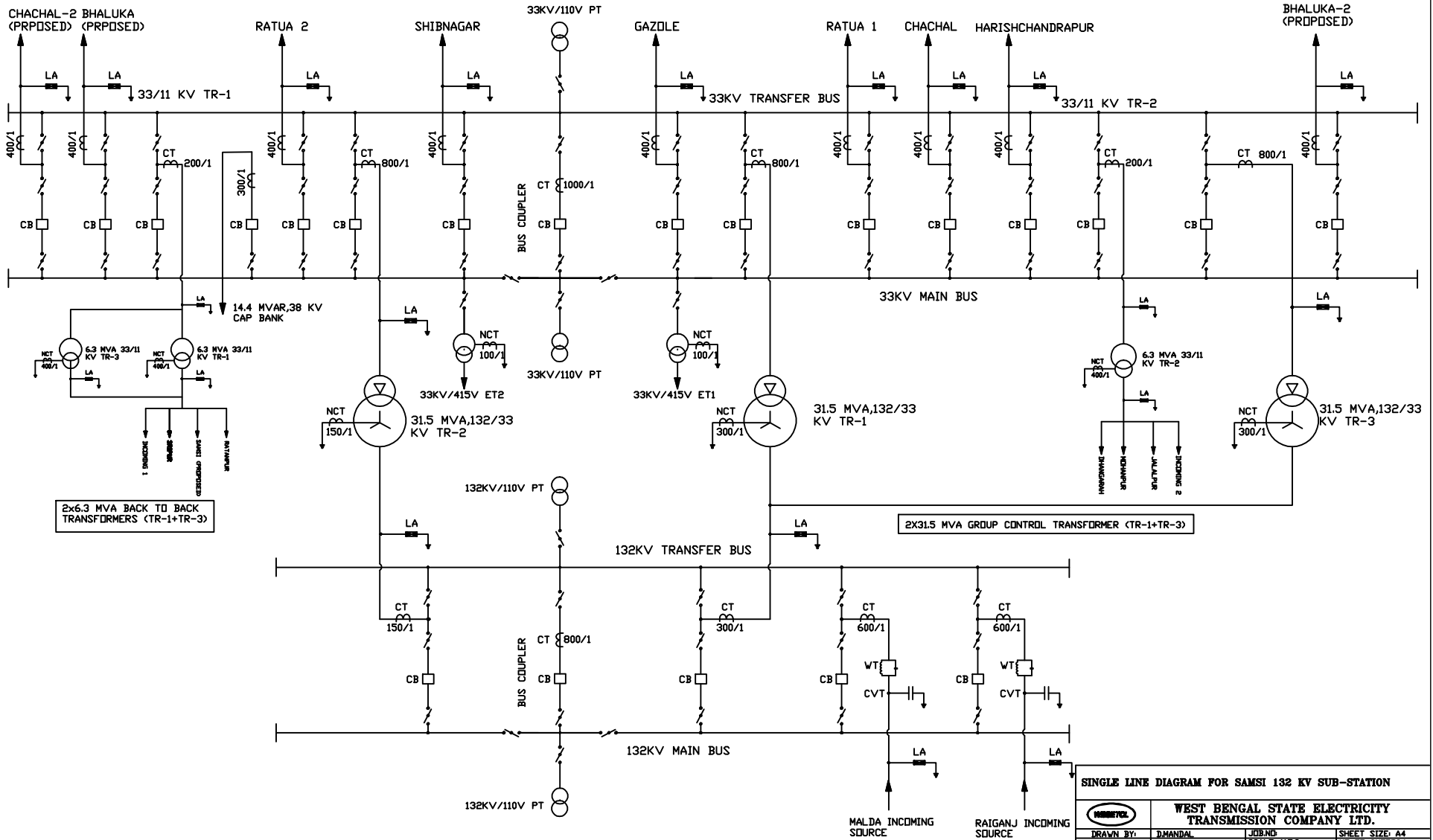


SINGLE LINE DIAGRAM FOR SAMSI 132 KV SUB-STATION



SINGLE LINE DIAGRAM FOR SAMSI 132 KV SUB-STATION		
WEST BENGAL STATE ELECTRICITY TRANSMISSION COMPANY LTD.		
DRAWN BY: DHANDAL	JOB NO:	SHEET SIZE: A4
	SCALE: N.T.S	NO OF SHEETS: 1
	DATE: 03.03.2013	SHEET NO:
		REV: 0