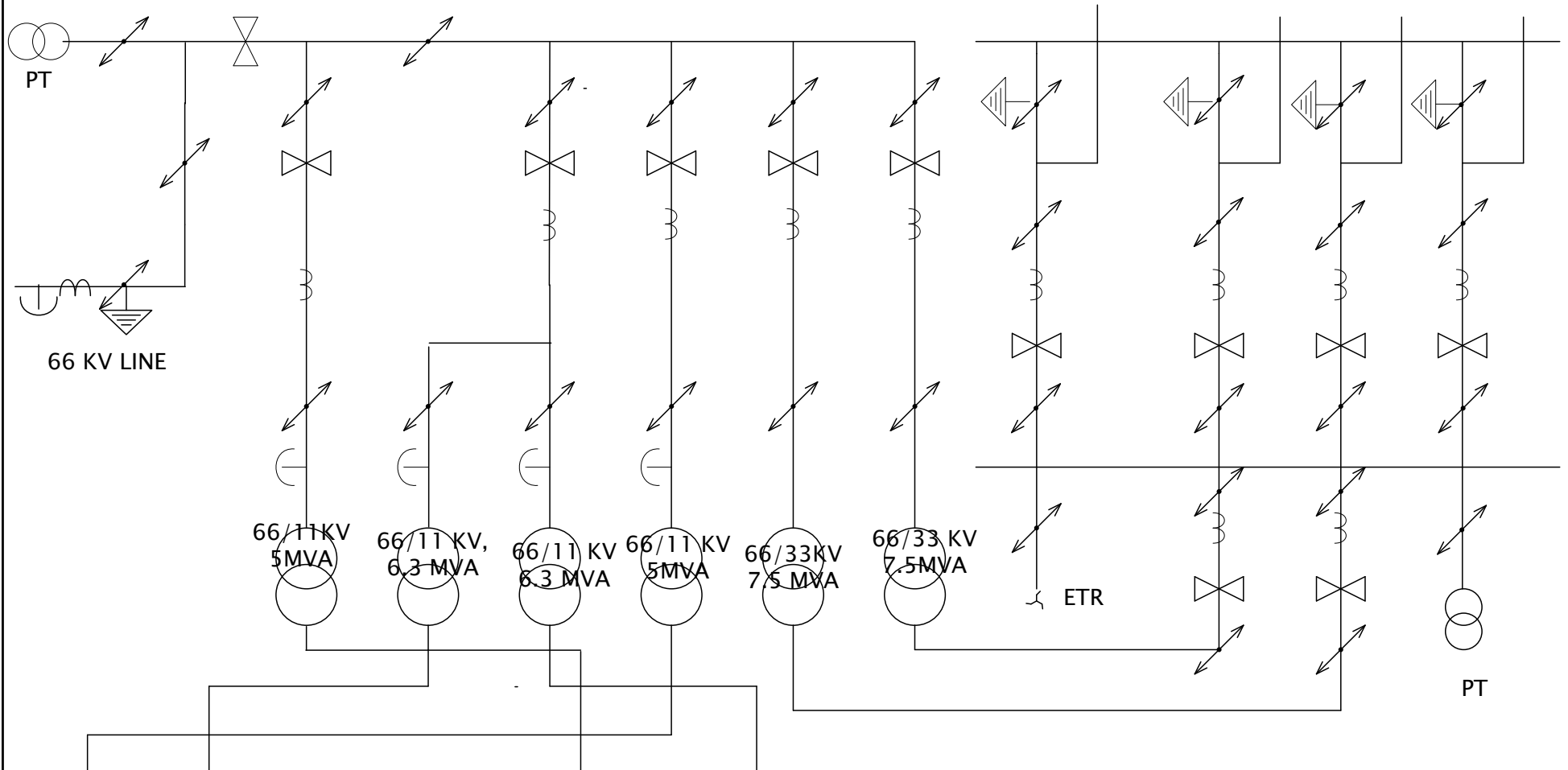


ODLABARI 66/33/11 KV SUB-STATION

66 KV SWITCHYARD

33 KV SWICHYARD



i/c 3	B/C	I/C-2	F1	F2	F3	F4	B/C	SP	F5	F6	I/C1
-------	-----	-------	----	----	----	----	-----	----	----	----	------

Responsible dep. {dep}

Technical reference {techRef}



Created	Approved		
	{approved}		
Document type	Document status		
{docType}	{docStatus}		
Title, supplementary title	{id}	Rev.	{rev}
	Date of issue	Lang.	Sheet
	5/6/2014	{lng}	{sht}