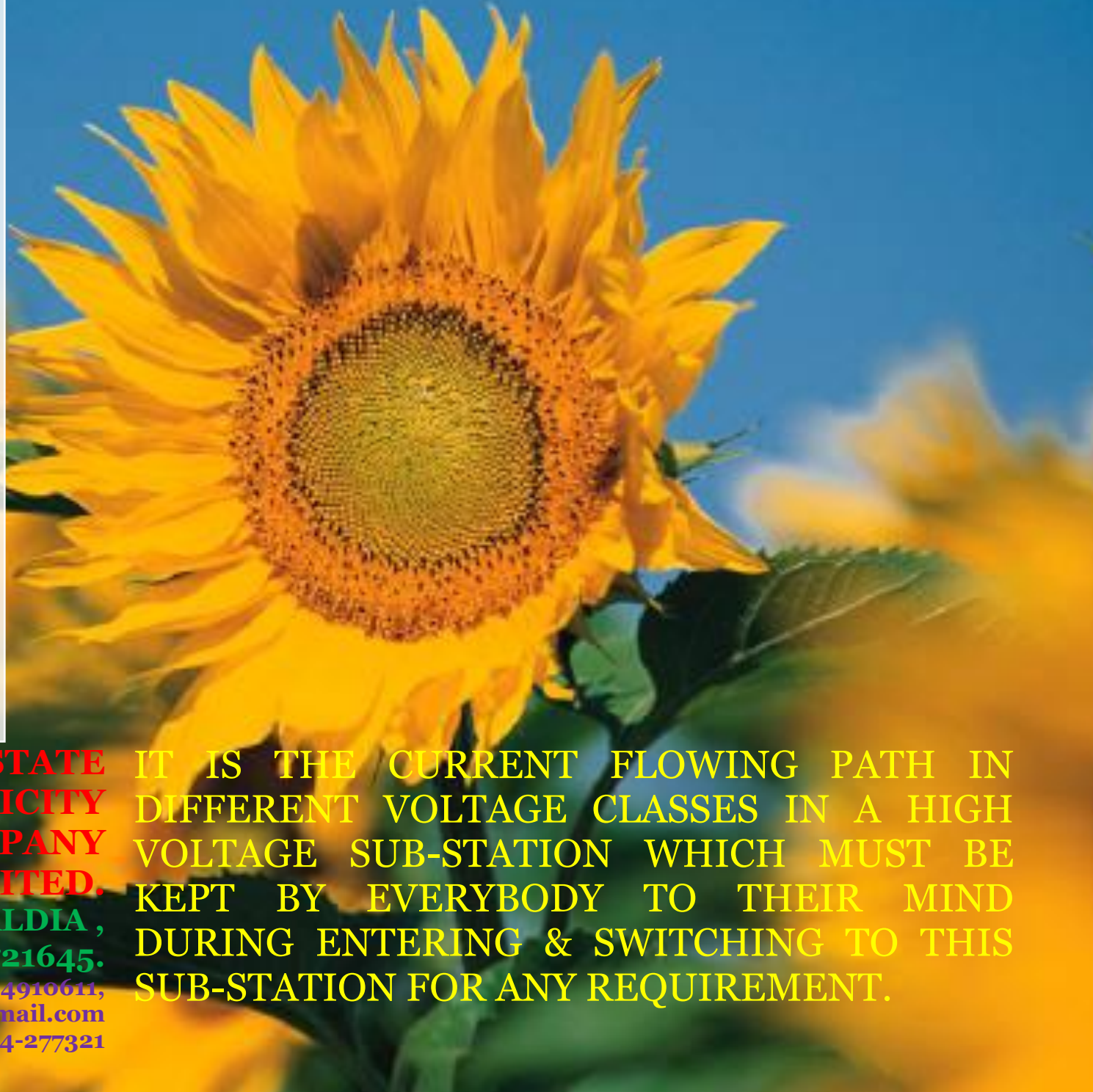


**SINGLE LINE DIAGRAM (SLD)**

**HALDIA 132/33/25/11KV SUB-  
STATION**

**2014**



**WEST BENGAL STATE  
ELECTRICITY  
TRANSMISSION COMPANY  
LIMITED.**

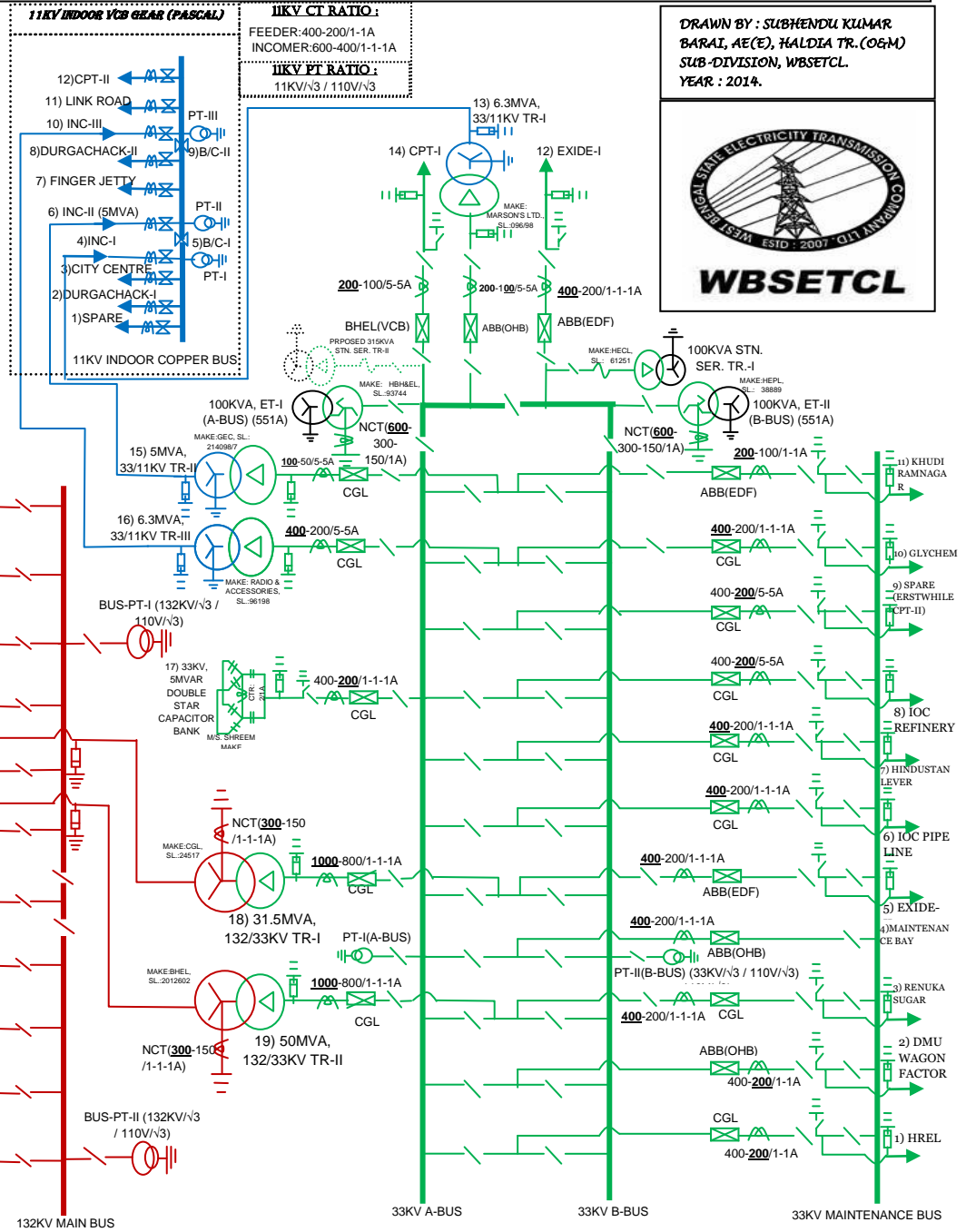
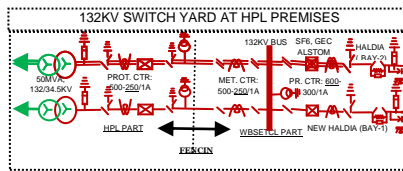
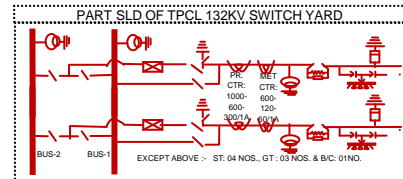
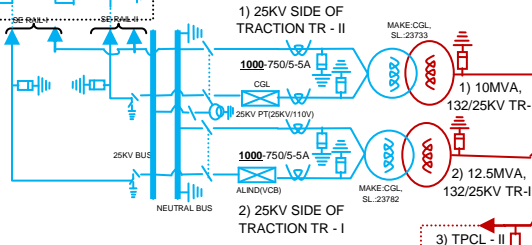
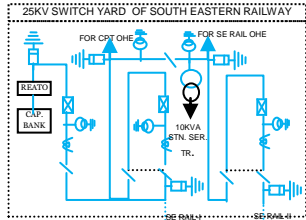
**CHIRANJIBPUR, HALDIA,  
PURBA MEDINIPUR, PIN-721645.**

**03224-252335, 9434910217, 9434910611,  
E=MAIL : haldia132kv@gmail.com  
FAX - 03224-277321**

**IT IS THE CURRENT FLOWING PATH IN  
DIFFERENT VOLTAGE CLASSES IN A HIGH  
VOLTAGE SUB-STATION WHICH MUST BE  
KEPT BY EVERYBODY TO THEIR MIND  
DURING ENTERING & SWITCHING TO THIS  
SUB-STATION FOR ANY REQUIREMENT.**

# SINGLE LINE DIAGRAM (SLD) OF HALDIA 132/33/25/11KV SUB-STATION WITH THE SLD OF 132KV BULK CONSUMERS' SWITCH YARD

LEGENDS	
	O/D CIRCUIT BREAKER
	INDOOR VACUUM CB
	POTENTIAL TRANSFORMER (PT)
	CURRENT TRANSFORMER (CT)
	ISOLATOR WITH EART SWITCH
	ISOLATOR W/O EART SWITCH
	LIGHTNING ARRESTOR
	WAVE TRAP
	COUPLING CAPACITOR
	CAPACITOR VOLTAGE TRANSFORMER
	TRANSFORMER
	132KV SYSTEM
	33KV SYSTEM
	25KV SYSTEM
	11KV SYSTEM



DRAWN BY : SUBHENDU KUMAR  
BARAI, AE(E), HALDIA TR. (O&M)  
SUB-DIVISION, WBSETCL.  
YEAR : 2014.

**WBSETCL**

# THANK YOU

---