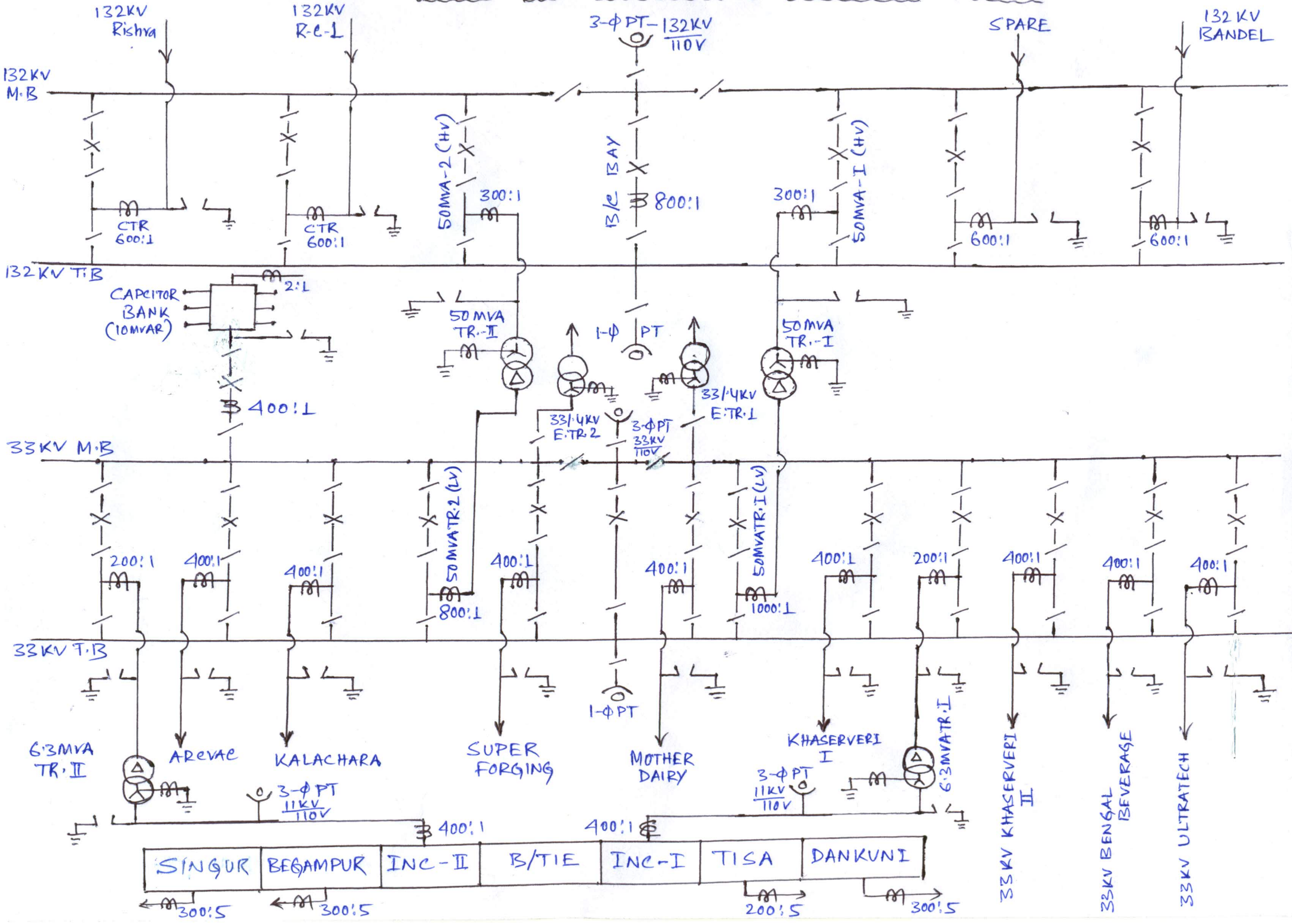


S.L.D. OF CHANDITALA 132/33/11 KV S/STN.



CONTROL ROOM