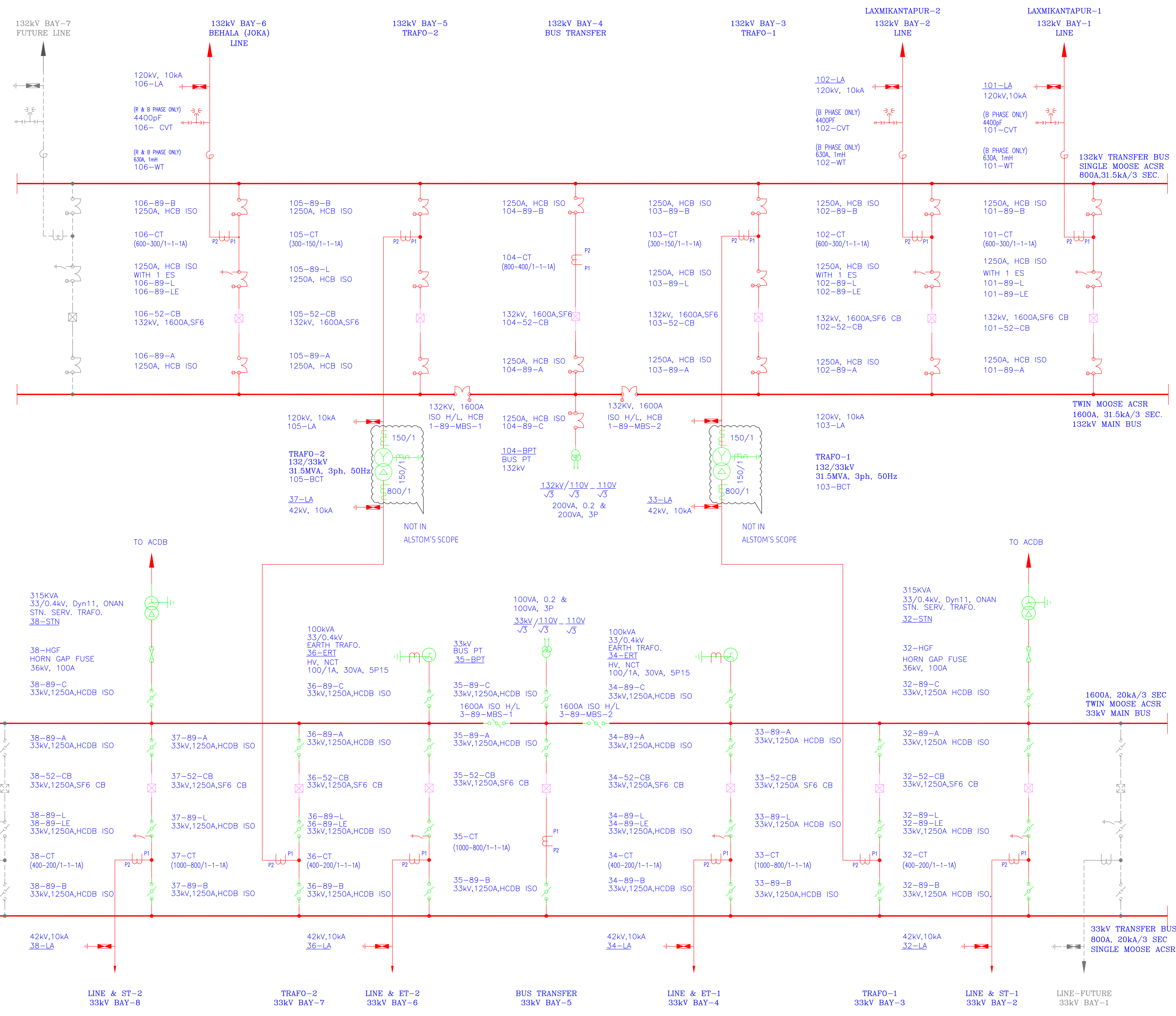
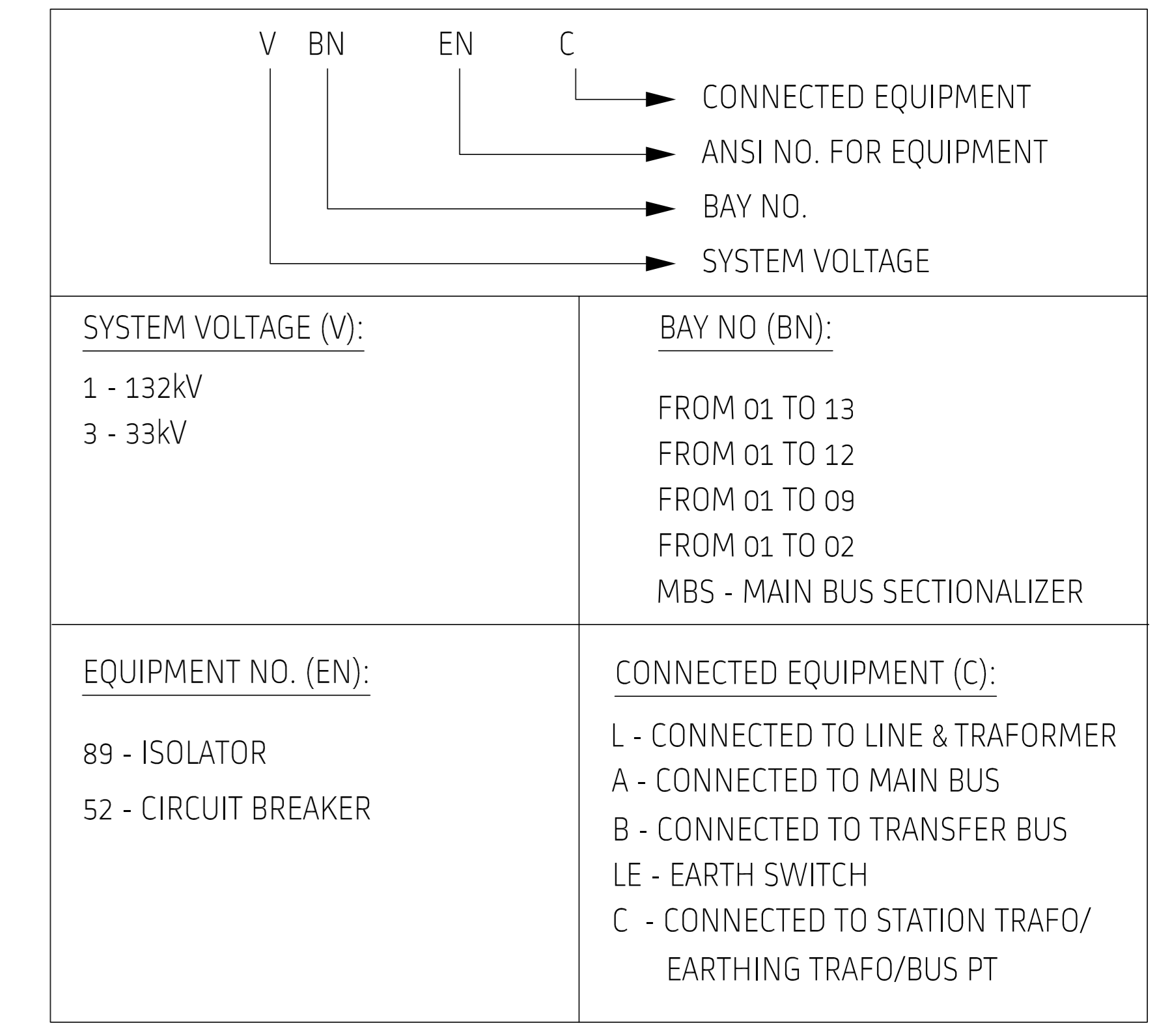


This drawing and design is the property of ALSTOM and must not be copied or lent without prior permission in writing.



KEY SINGLE LINE DIAGRAM

EQUIPMENT NUMBERING SYSTEM:



1) 5427PK070-SRKL-E-SYD-ARR-0000, REV 1
 2) 5427PK070-SRKL-E-SYD-ARR-0001, REV 3
 3) 55/568 DTD, 30-12-2011

3) LAYOUT PLAN FOR 132/33KV SWITCHYARD AT SERAKOL
 2) LAND UTILIZATION PLAN FOR 132/33KV SWITCHYARD AT SERAKOL
 1) LUP/STRUCTURAL LAYOUT FOR 132/33 KV SUBSTATION AT SERAKOL (WBSECL TENDER DRAWING)

---	FUTURE SCOPE
---	PRESENT SCOPE

REFERENCE NO.	DESCRIPTION
1	

LEGEND	DESCRIPTION
1	

LEGEND	DESCRIPTION
1	

LEGEND	DESCRIPTION
1	

LEGEND	DESCRIPTION
1	

LEGEND	DESCRIPTION
1	

LEGEND	DESCRIPTION
1	

CLIENT:-	WEST BENGAL STATE ELECTRICITY TRANSMISSION COMPANY LIMITED.								
PROJECT:-	SERAKOL 132 KV S/S, ONE NO. 132 KV LINE BAY AT LAXMIKANTAPUR S/S AND SIX NOS. TRANSFORMER BAYS AT DIFFERENT S/S.								
LOA NO:-	1. CEP/ WBSECL / SUBSTATION PACKAGE 11 (SERAKOL) / SUPPLY / 2012-13 / 22 DATED 14.06.12 2. CEP/ WBSECL / SUBSTATION PACKAGE 11 (SERAKOL) / ERECTION (E) / 2012-13 / 22 DATED 14.06.12 3. CEP/ WBSECL / SUBSTATION PACKAGE 11 (SERAKOL) / ERECTION (E) / 2012-13 / 22 DATED 14.06.12								
TITLE:-	KEY SINGLE LINE DIAGRAM FOR 132/33KV SUB-STATION AT SERAKOL								
REV. NO.	DATE	DESCRIPTION	DATE	DRAWN	ELE.	CIVIL	MECH.	APPROVED	STATUS
1	08.02.13	REVISED AS PER WBSECL COMMENTS DATED 15.09.12	08.02.13	AKM				RSB/BB	FOR APPROVAL
0	10.09.12	FIRST SUBMISSION	10.09.12	AKM				DD	FOR APPROVAL
A2									
ALSTOM		DRAWING NO.		TOTAL SH.		SH. NO.		REV.	
ALSTOM I&D INDIA LTD		5427PK070-SRKL-E-SYD-ARR-0003		08		01		1	
33, Upper 4th Floor, Naraina, New Delhi - 110028		5427PK070-SRKL-E-SYD-ARR-0003		WBSECL		WBSECL		WBSECL	