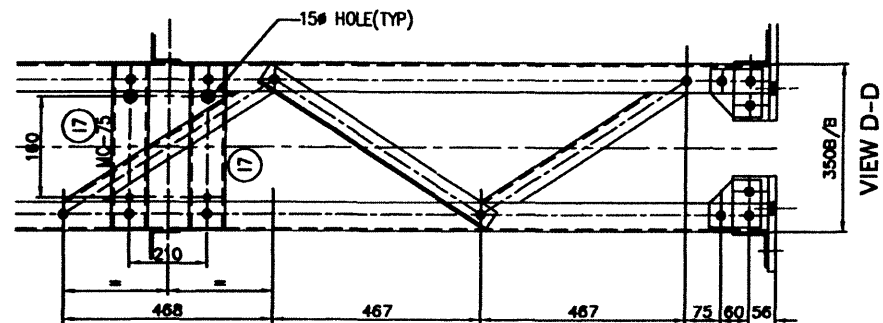
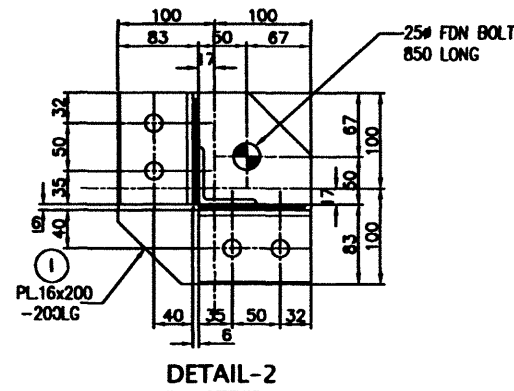
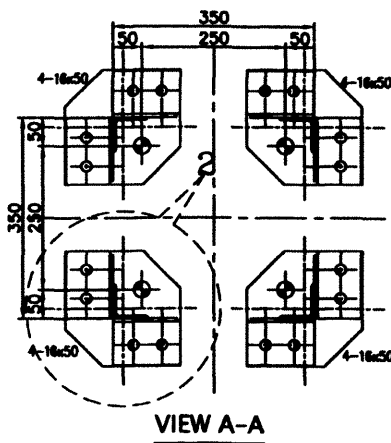
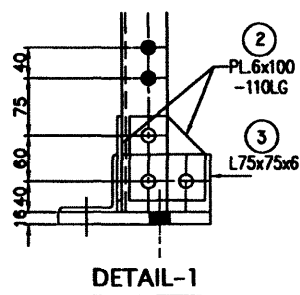


**NOTES :-**

- ALL DIMENSIONS ARE IN MM. UNLESS OTHERWISE STATED.
- ALL STRUCTURAL STEEL ARE OF MILD STEEL AND SHALL CONFORM TO IS 2082-1992 ( GRADE 'A'-STANDRAD QUALITY ) AND FABRICATION SHALL CONFORM TO I.S. 802 ( PART-II )-1978.
- ALL BOLTS AND NUTS ARE OF HEXAGONAL TYPE AND SHALL CONFORM TO I.S. 6839-1972, I.S. 1376 ( PART-II )-1978, I.S. 1367 ( PART-III )-1991 AND 1367 ( PART-VI )-1994 ( PROPERTY CLASS 5.8 )
- ALL PLAIN WASHERS SHALL CONFORM TO I.S. 2016-1967.
- ALL SPRING WASHERS SHALL CONFORM TO I.S. 3063-1984.
- ALL EXPOSED STRUCTURAL STEEL SHALL BE HOT DIP GALVANIZED AS PER I.S. 4759-1984 WITH A MIN. COATING THICKNESS OF 610g/Sqm.
- ALL BOLTS, NUTS AND WASHERS SHALL BE HOT DIP GALVANIZED AS PER I.S. 1367 (PART-XIII)-1983 WITH A MIN. COATING THICKNESS 300g/Sqm.
- ALL SPRING WASHERS SHALL BE ELECTRO GALVANIZED AS PER I.S. 1573-1986.
- UNLESS OTHERWISE STATED ALL BOLTS SHALL BE OF 16 mm. DIA.
- THIS B.O.M. IS ONLY AN INDICATIVE ONE, B.O.M. WILL BE FINALIZED AT THE TIME OF PROTO.
- STRUCTURE HEIGHT SHALL BE FINALISED DEPENDING UPON THE BUS HEIGHT AND HEIGHT OF EQUIPMENT.



LIST OF BOLTS, NUTS, & WASHERS					
DIA	DESCRIPTION	QTY	DIA	LENGTH	QTY
16	35 LG	35	12	40 LG	11
16	40 LG	64	12	60 LG(FT)	05
16	45 LG	09	16	6TH.WASHER	04
16	50 LG	17	16	8TH.WASHER	00
16	55 LG	00	16	10TH.WASHER	00
16	60 LG(FT)	05	16	12TH.WASHER	00
16	65 LG	10		SPR.WASHER 3.5THK	135



West Bengal State Electricity Transmission Company Limited  
(A Govt. of West Bengal Enterprise)

Office of The Chief Engineer, Engineering Department  
Vidyut Bhawan, 9th floor, Salt Lake City, Kolkata - 700091.

TITLE:- STRUCTURAL DETAILS OF 132 KV CABLE JOINTING ARRANGEMENT.

DRAWN BY:-

CHECKED BY:-

SCALE :- N.T.S

RECOM. BY:-

DRG. NO.:- SST/132/465

APPROVED BY:-

DATE:-